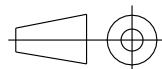
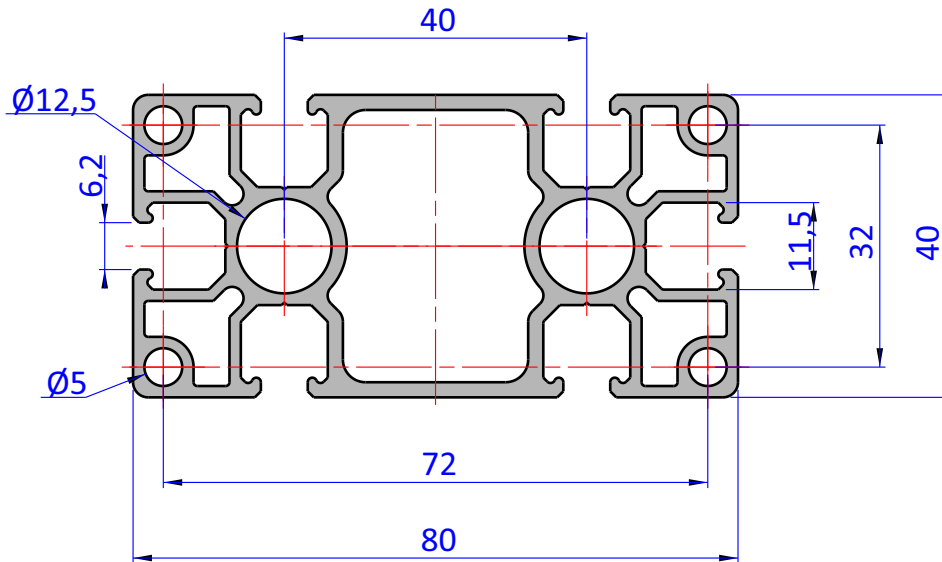
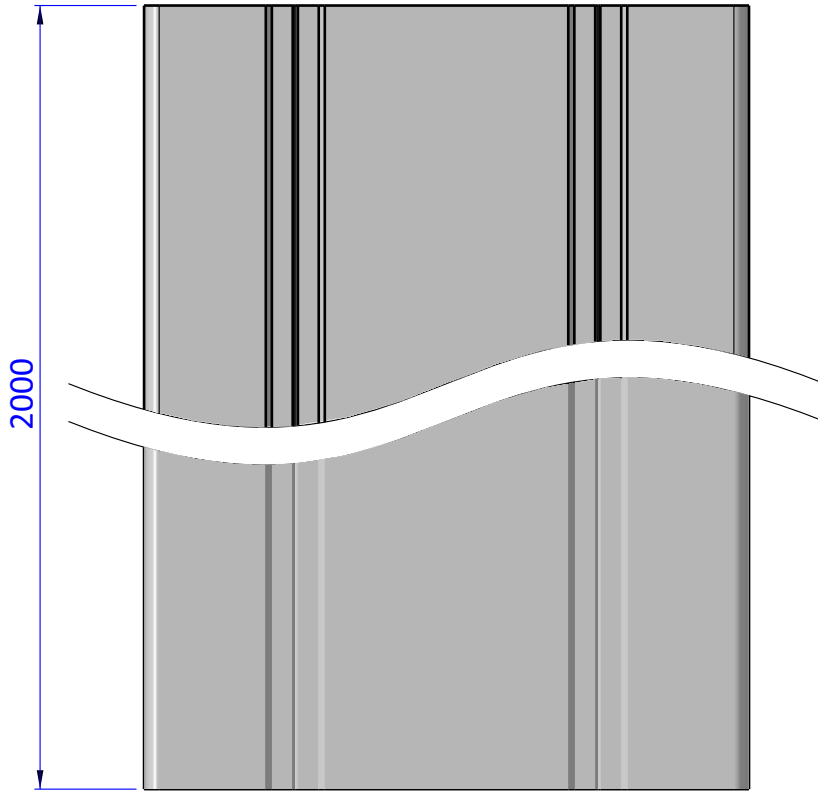


THE PROPERTY OF THE DRAWING IS ESTABLISHED BY LAW. IT IS FORBIDDEN TO PRODUCE OR SHOW IT TO THIRD PART, WITHOUT A WRITTEN AGREEMENT.

Item	Name	Q.ty
1	CA.JU.8040.2000	1



DESIGNED FROM		REVIEW
FPS Automation		A
DATE	WEIGHT	
11/03/2020	4,603kg	
CODE		
CA.JU.8040.2000		

Format A4

UNI 936-76

GENERAL TOLERANCE

UNI - ISO 2768

CLASSE f

DESCRIPTION

CA.JU.8040.2000